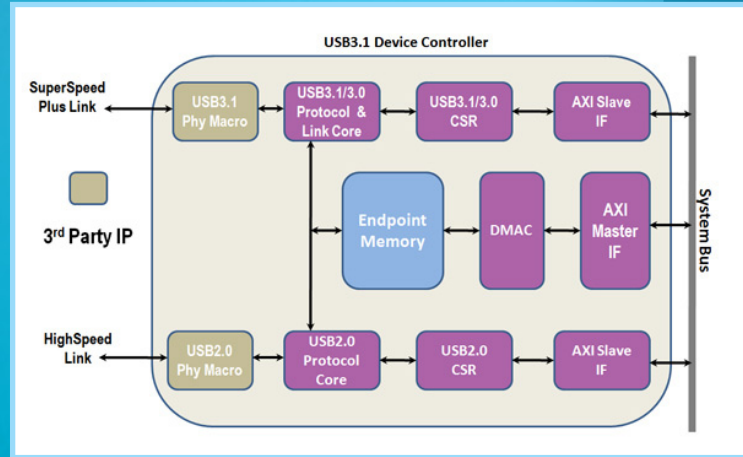


## Overview

USB 3.1 IP works at SuperSpeedPlus mode (10 Gdps), SuperSpeed mode (5 Gbps) and backward compatible with USB 2.0. Inno-Logic's USB 3.1 IP can be seamlessly used for integration into SoCs for applications such as Media Storage.

Being the leading supplier of USB IP, Inno-logic provides SoC engineers and Designers with Silicon Proven USB IP Solution that address the performance, power, and area requirements of today's enterprise/infrastructure, mobile, and consumer markets



## Features

- Supports SuperSpeedPlus mode (10 Gdps), SuperSpeed mode (5 Gbps) and backward compatible with USB 2.0.
- Optimized designed to achieve lowest power and area for portable electronics
- Supports USB3.1 PIPE and UTMI/ULPI PHY interfaces
- Configurable data buffering options to optimize performance vs area
- Integrated DMA controller
- Supports 15 IN and OUT functional endpoints
- Endpoints support Bulk/Isochronous/Interrupt transaction
- Support all power down modes
- Support AXI/AHB bus interface for easy system integration

## Target Applications

- SSD, High Speed USB drive
- High End Digital camera.
- Printer, scanner etc.
- 4K/8K Display Devices

## Deliverables

- Fully Synthesizable RTL code
- SystemVerilog based verification environment.
- Synthesis constraints and scripts files
- User Manual and verification Document.
- Programmer model document
- Synthesis constraints and scripts files

### Corporate Headquarter and North America Design Center

Innovative Logic Inc.  
1731 Technology Dr,  
Suite.#550  
San Jose, CA 95110

Phone: (408)824-1313  
Fax: (408)418-4056  
Email: [info@inno-logic.com](mailto:info@inno-logic.com)

### Asia Pacific Design Center Innovative Logic Pvt Ltd.

96/112, II Floor, Bull Temple Road,  
Bangalore - 19, Karnataka, INDIA  
Phone: +91-80-5770 2835  
VOIP: (408)856-6121  
Email: [info@inno-logic.com](mailto:info@inno-logic.com)

